

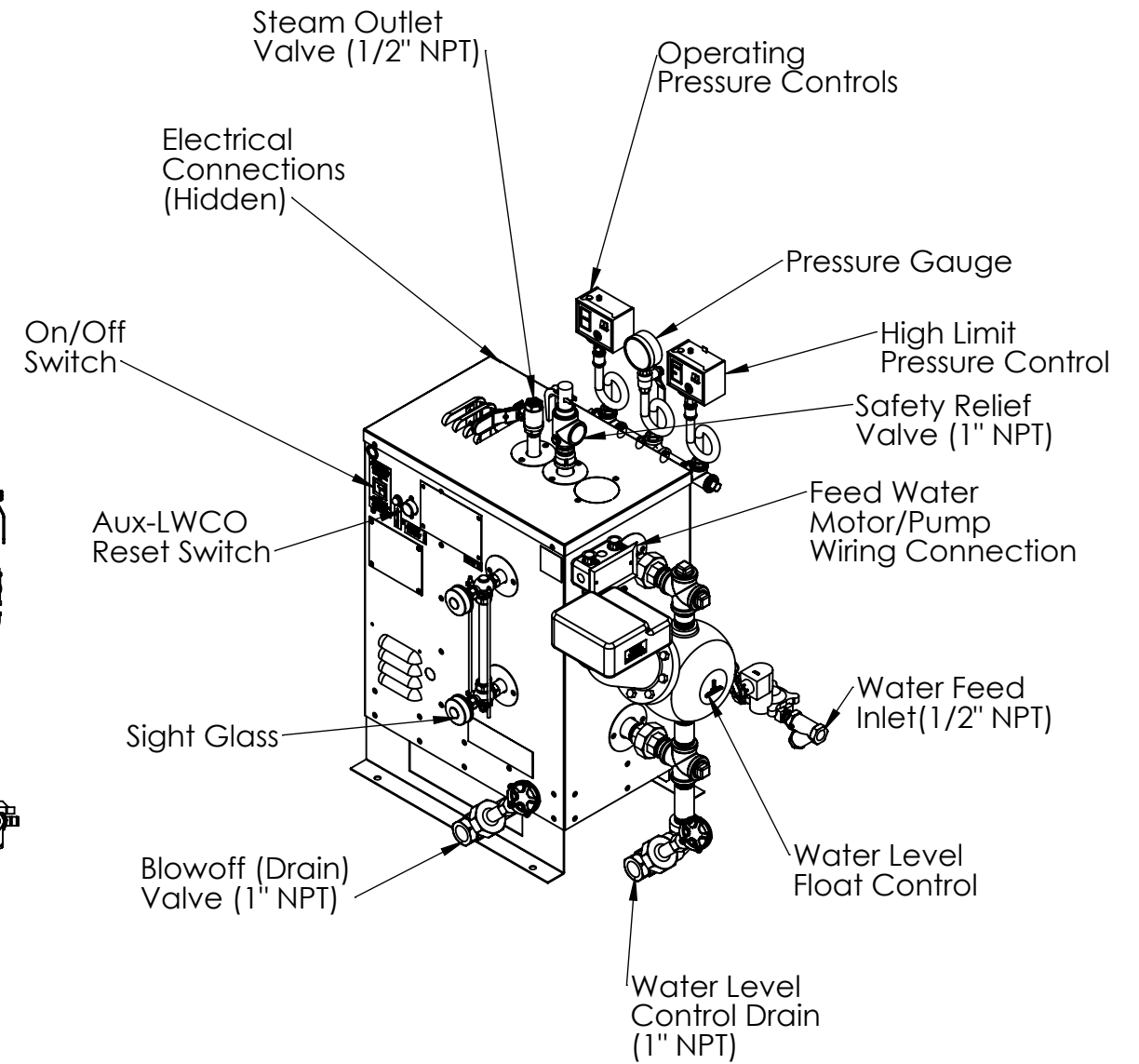
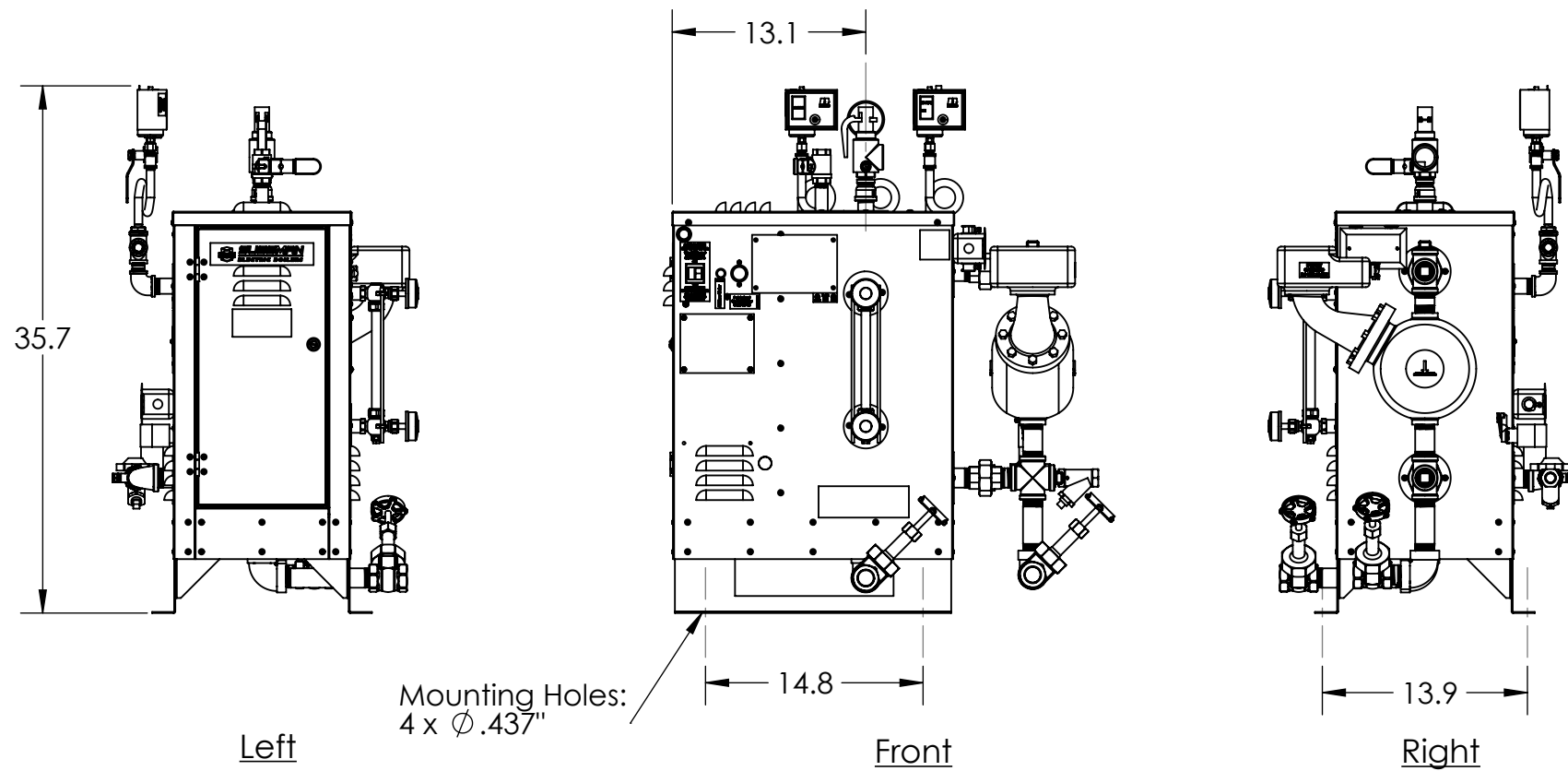
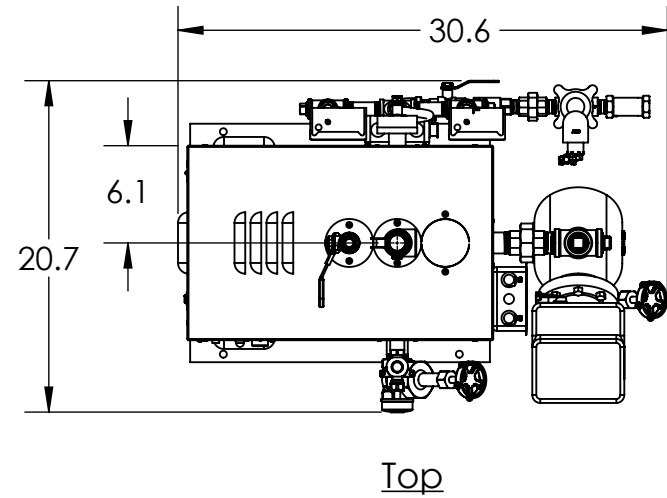
Rev.	Date	ECN	Desc.	Auth.
1	1/17/22	xxxx	Initial Drawing	E.Z

D

C

B

A



D

C

B

A

Notes:

- For ES12 to ES18, 15, 50, and 100 psi trims, all voltages and phase
- Boiler is UL listed to standard 834
- Materials of construction:
 - Vessel and Piping: Carbon Steel
 - Jacket: Stainless Steel
- Pressure vessel built in accordance with ASME Section 1 and carries an "M" stamp
- Completed boiler is built in accordance with ASME Section 1 and carries an "E" Stamp
- Refer to Technical Data Sheet at www.sussmanboilers.com for more information

	NAME	DATE	SUSSMAN-AUTOMATIC CORPORATION 43-20 34TH STREET, LONG ISLAND CITY, NEW YORK 11101
DRAWN	E.Z	1/17/22	
ENG APPR.	X	X	
DIMENSIONS ARE IN INCHES TOLERANCES: (EXCEPT AS NOTED) FRACTIONAL: ± 1/64 ANGULAR: ± 1°			TITLE: ES12-18 Electric Steam Boiler, 15psi, 50psi, and 100psi
SIZE	DWG. NO.		
B	ES12-ES18		
SCALE: 1:12			SHEET 1 OF 2

8

7

6

5

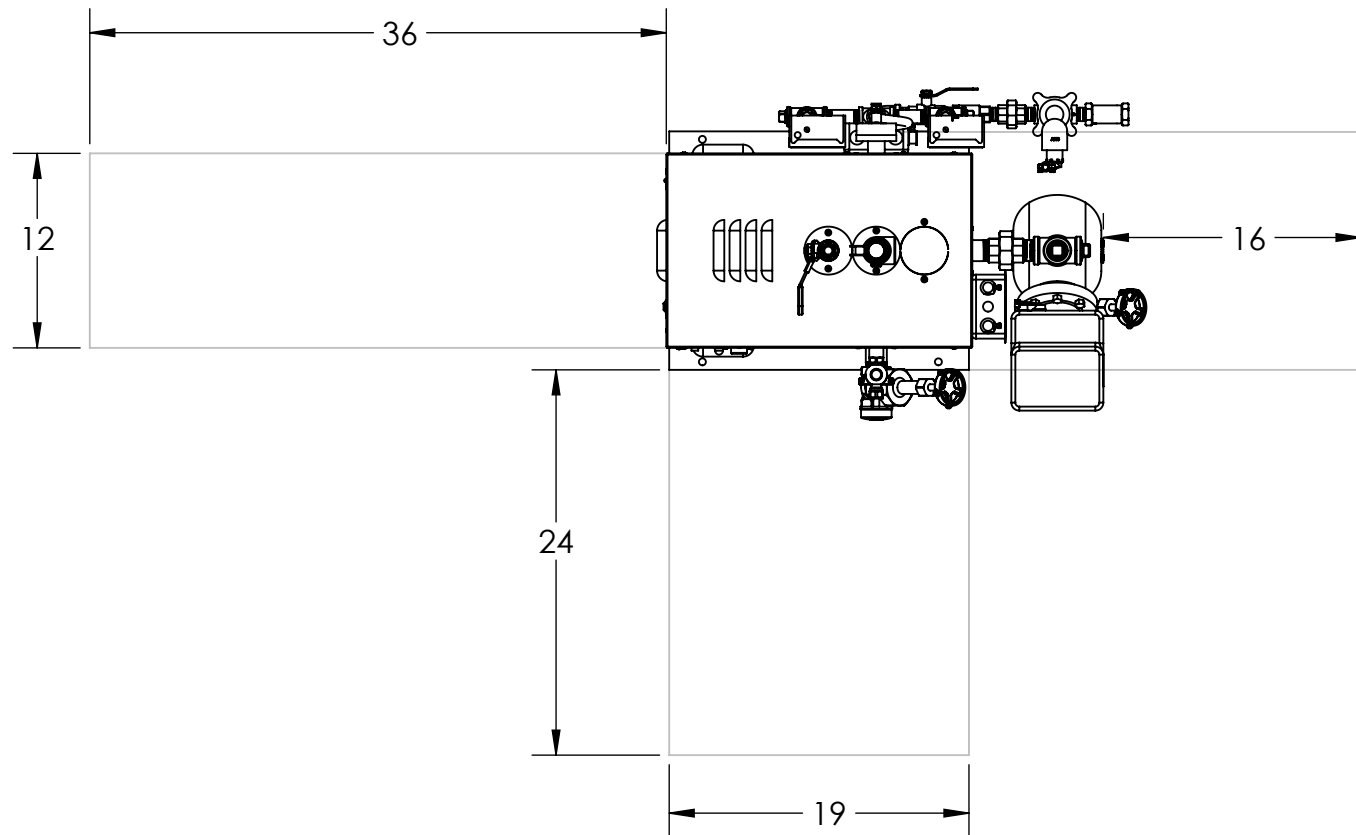
4

3

2

1

Service Clearance Requirements



- Notes:
1. Minimum 1" clearance to all combustible materials
 2. Service clearances to be in conformance to NEC requirements

Rev.	Date	ECN	Desc.	Auth.
1	1/17/22	xxxx	Initial Drawing	E.Z

Boiler	kW	Pressure	Elements	Voltage	Amp Draw		Control Voltage	Steam Flowrate (lbs/hr)	Feed Water Consumption (GPM)	Reccomeded Min. Feed Water Rate (gpm)
					1P	3P				
ES12	12	15 50 100	1 x 12kw	208	58	33	120	36.2	0.072	0.217
				240	50	29				
				380	32	18	240			
				415	29	17				
				480	25	14	120			
600	20	12								
ES18	18	15 50 100	1 x 18kw	208	87	50	120	54.2	0.108	0.325
				240	75	43				
				380	47	27	240			
				415	43	25				
				480	38	22	120			
600	30	17								

Boiler	Total Volume (gal)	Operating Volume (gal)	Dry Weight (LBS.)	Wet Weight (LBS.)	Shipping Weight (LBS.)	Outlet Size (NPT)	Water Feed Inlet Size (NPT)	Drain Outlet Size (NPT)	Safety Valve Outlet Size (NPT)
ES12	6.1	3.82	152	184	230	1/2"	1/2"	1"	1"
ES18									

Note: All weights do not include options. See option drawings for additional weights

NAME	E.Z	DATE	1/17/22	SUSSMAN-AUTOMATIC CORPORATION 43-20 34TH STREET, LONG ISLAND CITY, NEW YORK 11101 TITLE: ES12-18 Electric Steam Boiler, 15psi, 50psi, and 100psi
DRAWN	E.Z			
ENG APPR.	X		X	
DIMENSIONS ARE IN INCHES TOLERANCES: (EXCEPT AS NOTED) FRACTIONAL ± 1/64 ANGULAR: ± 1°				SIZE DWG. NO. B ES12-ES18
SCALE: 1:12			SHEET 2 OF 2	