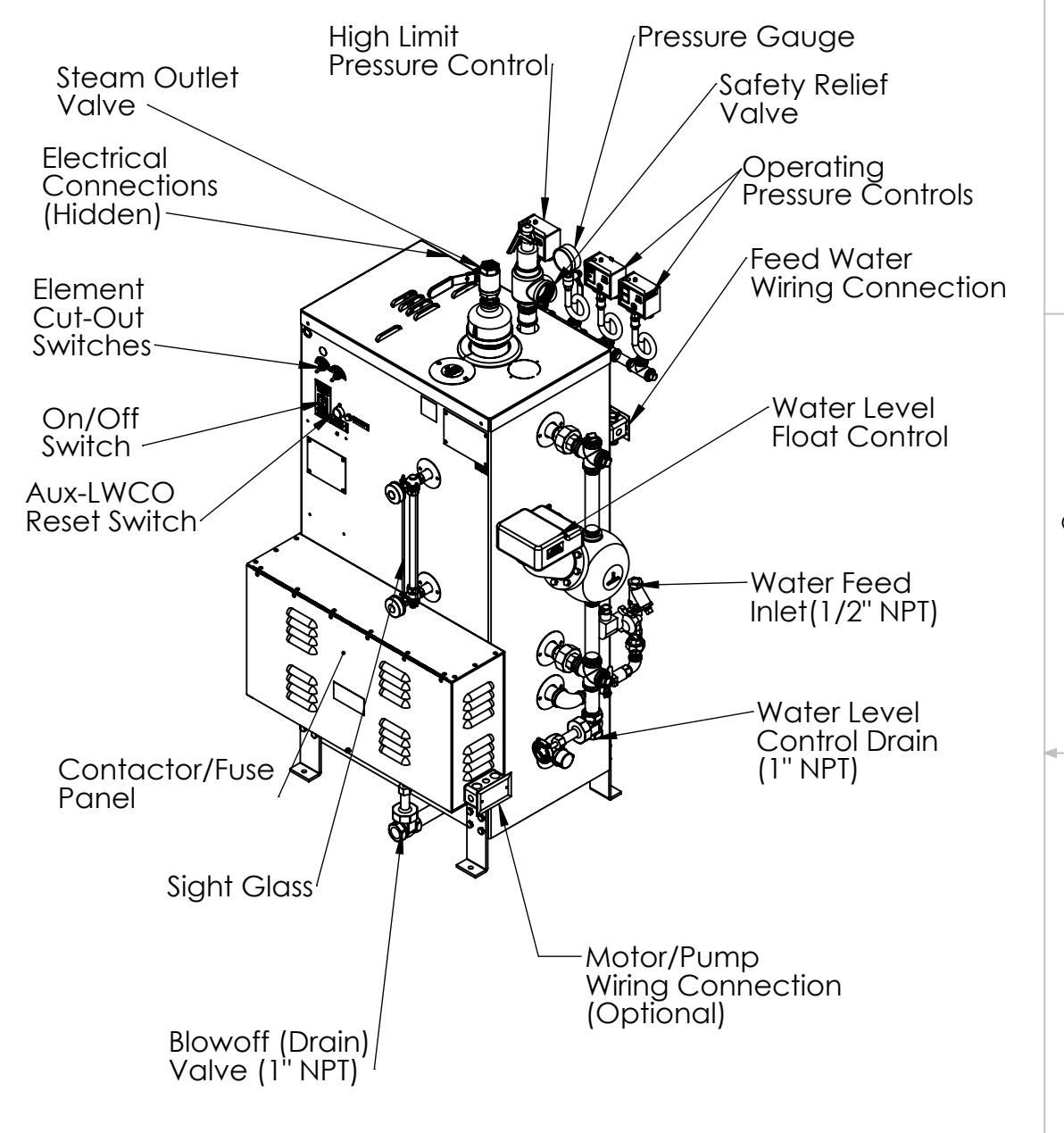


Rev.	Date	ECN	Desc.	Auth.
1	1/18/22	xxxx	Initial Drawing	E.Z

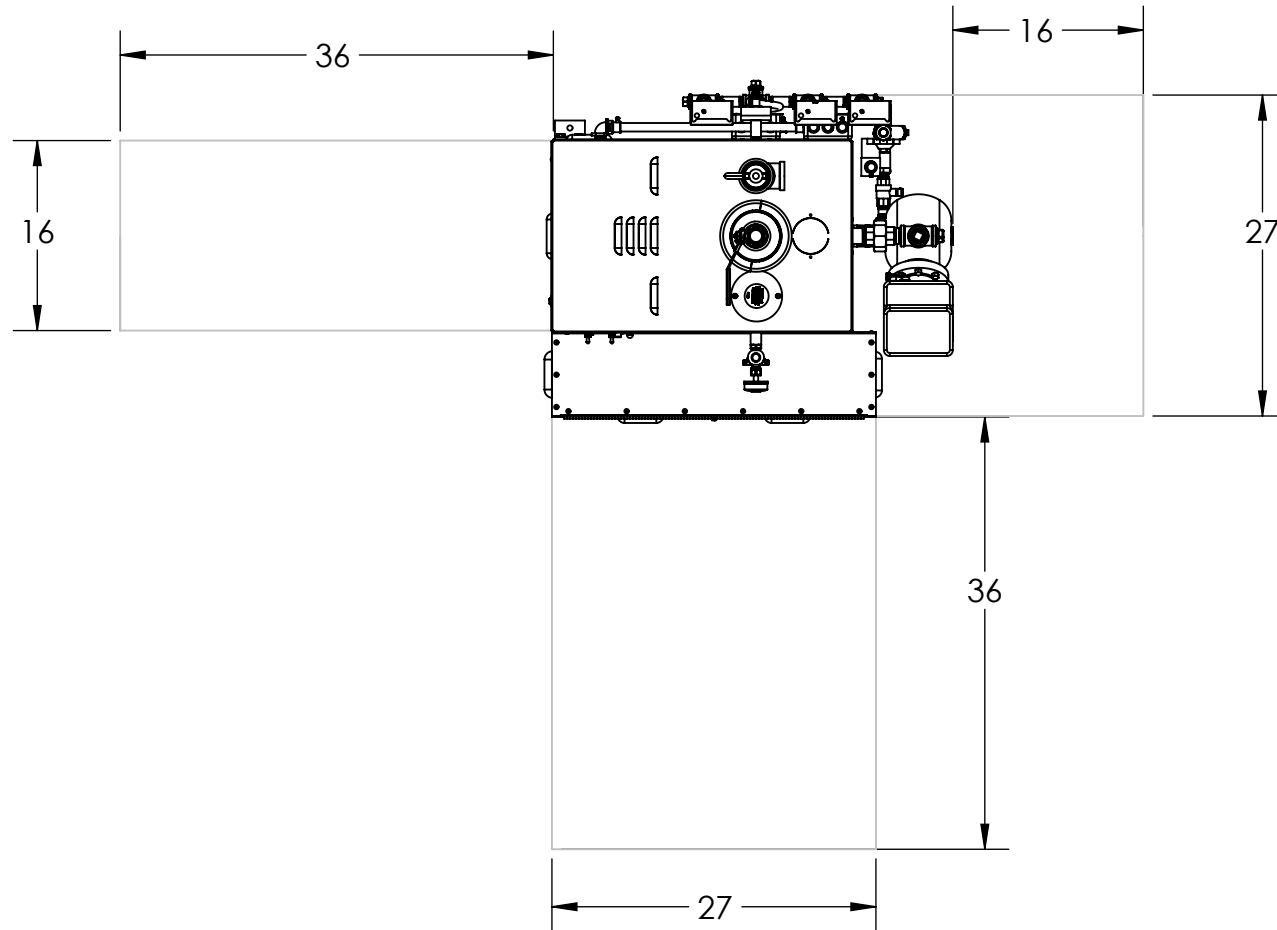


Notes:

- For ES85 to ES100, 15, 50, and 100psi trims, 380V, 415V, 480V & 600V, 3 ph
- Boiler is UL listed to standard 834
- Materials of construction:
 - Vessel and Piping: Carbon Steel
 - Jacket: Stainless Steel
- Pressure vessel built in accordance with ASME Section 1 and carries an "M" stamp
- Completed boiler is built in accordance with ASME Section 1 and carries an "E" Stamp
- Refer to Technical Data Sheet at www.sussmanboilers.com for more information

NAME	DATE	SUSSMAN-AUTOMATIC CORPORATION	
DRAWN E.Z	1/18/22	43-20 34TH STREET, LONG ISLAND CITY, NEW YORK 11101	
ENG APPR. X	X	TITLE: ES85-100 Electric Steam Boiler, 15psi, 50psi, and 100 psi, 380V, 415V, 480V, & 600V/3ph	
DIMENSIONS ARE IN INCHES TOLERANCES: (EXCEPT AS NOTED) FRACTIONAL \pm 1/64 ANGULAR: \pm 1°		SIZE	DWG. NO.
		B	ES85-ES100
SCALE: 1:16			SHEET 1 OF 2

Service Clearance Requirements



- Notes:
1. Minimum 1" clearance to all combustible materials
 2. Service clearances to be in conformance to NEC requirements

Rev.	Date	ECN	Desc.	Auth.
1	1/18/22	xxxx	Initial Drawing	E.Z

Boiler	kW	Pressure	Elements	Voltage	Amp Draw	Control Voltage	Steam Flowrate (lbs/hr)	Feed Water Consumption (GPM)	Reccomended Min. Feed Water Rate (gpm)
ES85	84	15 50 100	4 x 18kw 1 x 12kw	380	128	240	256	0.51	1.52
				415	117				
				600	81	120			
ES100	108	15 50 100	6 x 18kw	380	164	240	325	0.65	1.95
				415	150				
				480	130	120			
				600	104				

Boiler	Total Volume (gal)	Operating Volume (gal)	Dry Weight (LBS.)	Wet Weight (LBS.)	Shipping Weight (LBS.)	Steam Outlet Size (NPT)	Water Feed Inlet Size (NPT)	Drain Outlet Size (NPT)	Safety Valve Outlet Size (NPT)
ES85	28	17.5	435	586	680	1" (15)	1/2"	1"	1-1/2" (15)
ES100						3/4" (50&100)			1-1/4" (100)

Note: All weights do not include options. See option drawings for additional weights

NAME	DATE	SUSSMAN-AUTOMATIC CORPORATION 43-20 34TH STREET, LONG ISLAND CITY, NEW YORK 11101	
DRAWN E.Z	1/18/22	TITLE: ES85-100 Electric Steam Boiler, 15psi, 50psi, and 100 psi, 380V, 415V, 480V, &600V/3ph	
ENG APPR. X	X	SIZE	DWG. NO.
DIMENSIONS ARE IN INCHES TOLERANCES: (EXCEPT AS NOTED) FRACTIONAL ± 1/64 ANGULAR: ± 1°		B	ES85-ES100
		SCALE: 1:16 SHEET 2 OF 2	