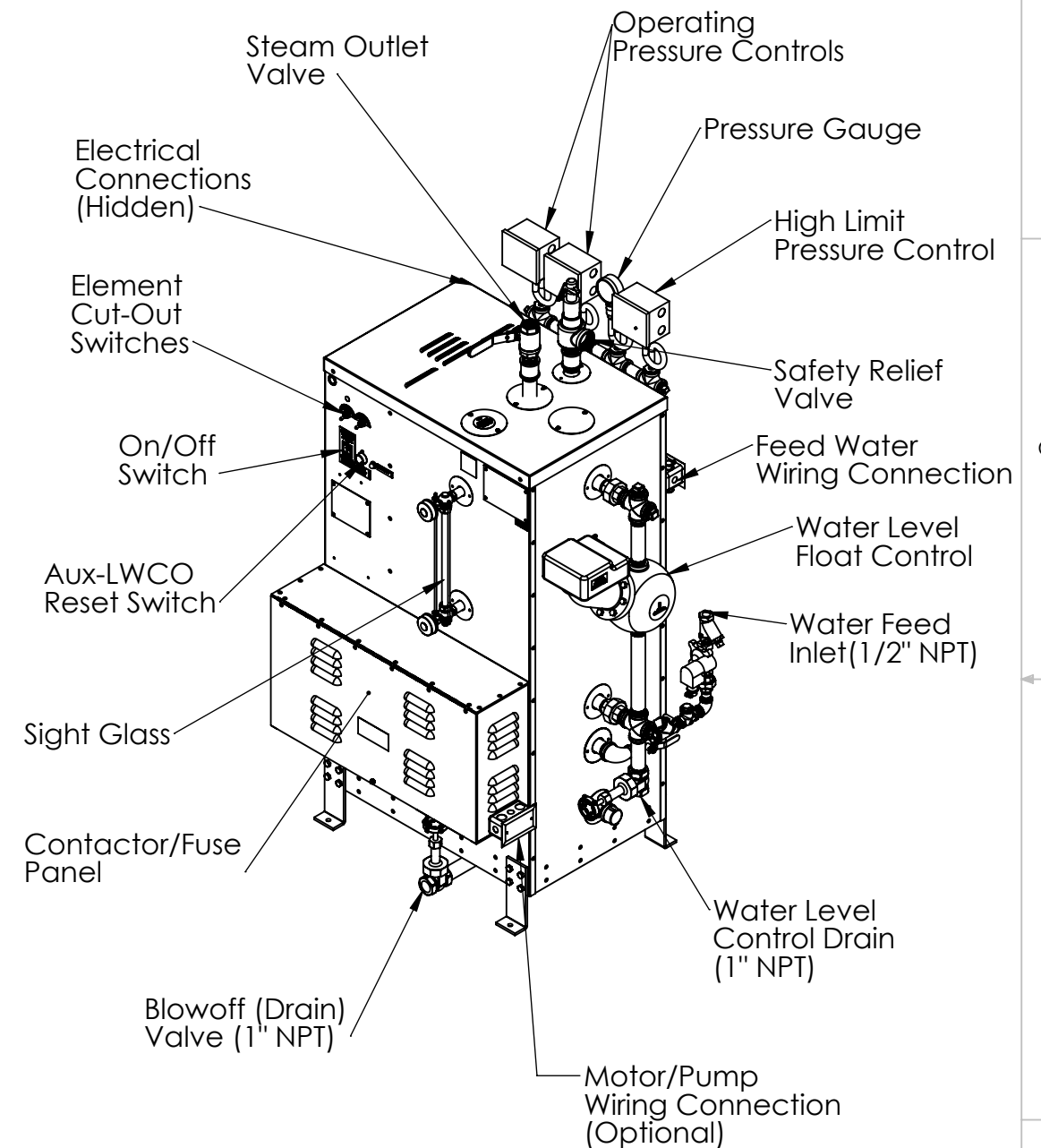


Rev.	Date	ECN	Desc.	Auth.
1	4/24/20	xxxx	Initial Drawing	E.Z

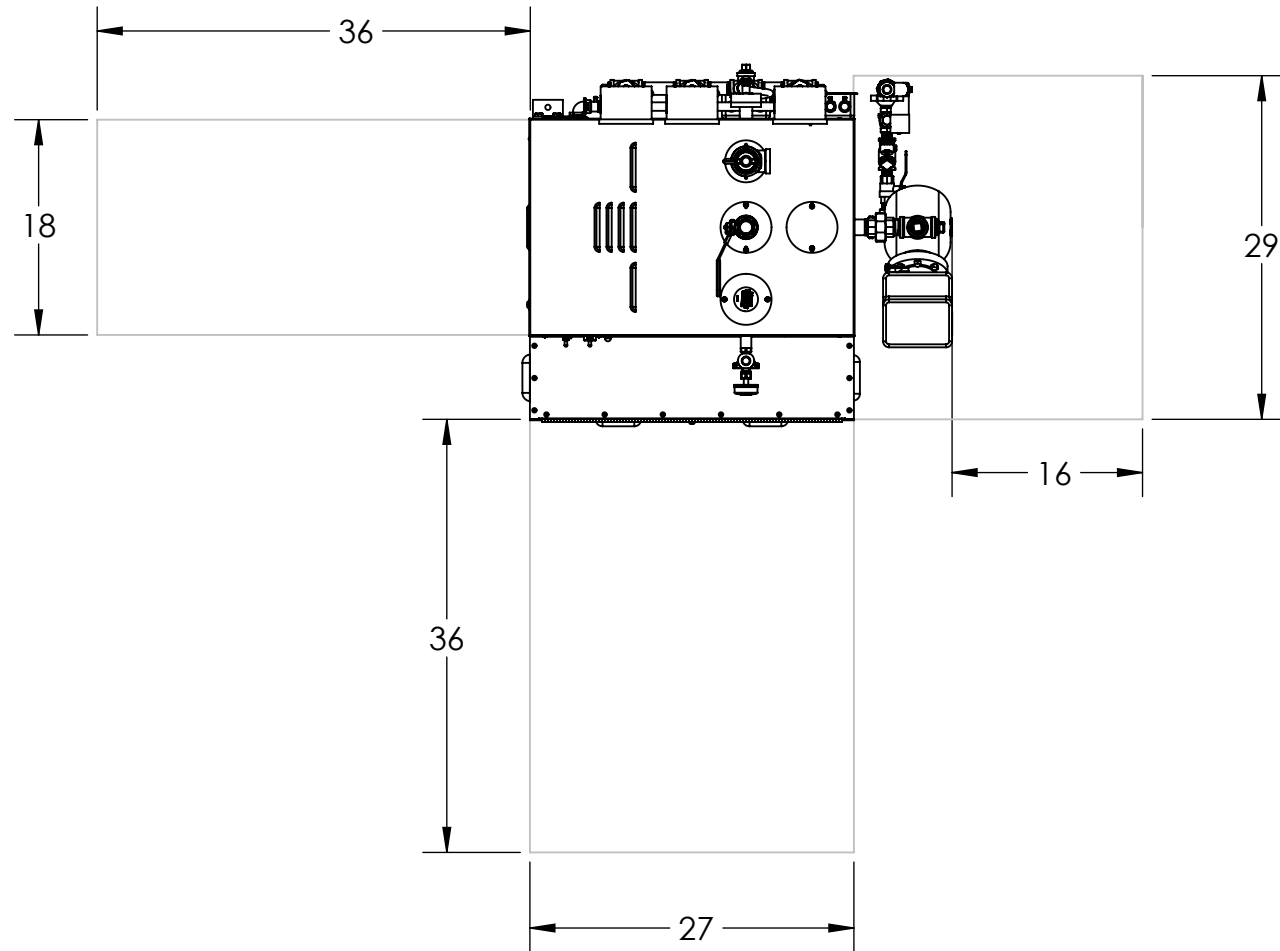


**Notes:**

- For ES85 to ES180, 150 psi trim, 380V, 415V, 480V & 600V, 3 phase
- Boiler is UL listed to standard 834
- Materials of construction:
  - Vessel and Piping: Carbon Steel
  - Jacket: Stainless Steel
- Pressure vessel built in accordance with ASME Section 1 and carries an "S" stamp
- Completed boiler is built in accordance with ASME Section 1 and carries an "E" Stamp
- Refer to Technical Data Sheet at [www.sussmanboilers.com](http://www.sussmanboilers.com) for more information

NAME	DATE	SUSSMAN-AUTOMATIC CORPORATION 43-20 34TH STREET, LONG ISLAND CITY, NEW YORK 11101
DRAWN E.Z	4/24/20	
ENG APPR. X	X	TITLE: ES85-180 Electric Steam Boiler, 150psi, 380V, 415V, 480V & 600V, 3ph
DIMENSIONS ARE IN INCHES TOLERANCES: (EXCEPT AS NOTED) FRACTIONAL ± 1/64 ANGULAR: ± 1°		SIZE DWG. NO. <b>B</b> ES85-ES180
SCALE: 1:16		SHEET 1 OF 2

# Service Clearance Requirements



- Notes:
1. Minimum 1" clearance to all combustible materials
  2. Service clearances to be in conformance to NEC requirements

Rev.	Date	ECN	Desc.	Auth.
1	4/24/20	xxxx	Initial Drawing	E.Z

Boiler	kW	Pressure	Elements	Voltage	Amp Draw	Control Voltage	Steam Flowrate (lbs/hr)	Feed Water Consumption (GPM)	Recommened Min. Feed Water Rate (gpm)
ES100	108	150	6 x 18kw	380	164	240	325	0.65	1.95
				415	150				
				480	130	120			
600	104								
ES85	84		4 x 18kw 1 x 12kw	380	128	240			
				415	117				
				480	101	120			
600	81								
ES135	142		8 x 18kw	380	216	240			
		415		198					
		480		171	120				
600	137								
ES160	157.5	7 x 22.5kw	380	240	240				
			415	219					
			480	190	120				
600	152								
ES180	180	8 x 22.5kw	380	274	240				
			415	251					
			480	217	120				
600	173								

Boiler	Total Volume (gal)	Operating Volume (gal)	Dry Weight	Wet Weight	Shipping Weight	Steam Outlet Size (NPT)	Water Feed Inlet Size (NPT)	Drain Outlet Size (NPT)	Safety Valve Outlet Size (NPT)
ES85-ES100	36.5	22.8	638	836	720	3/4"	1/2"	1"	3/4"
ES135-ES180						1"			

Note: All weights do not include options. See option drawings for additional weights

NAME	E.Z	DATE	4/24/20	<b>SUSSMAN-AUTOMATIC CORPORATION</b> 43-20 34TH STREET, LONG ISLAND CITY, NEW YORK 11101  <b>TITLE:</b> <b>ES85-180 Electric Steam Boiler,</b> <b>150psi, 380V, 415V, 480V</b> <b>&amp;600V, 3ph</b>
DRAWN	E.Z			
ENG APPR.	X		X	
<small>DIMENSIONS ARE IN INCHES          TOLERANCES: (EXCEPT AS NOTED)          FRACTIONAL ± 1/64          ANGULAR: ± 1°</small>				<b>SIZE</b> DWG. NO. <b>B</b> <b>ES85-ES180</b>
SCALE: 1:16				SHEET 2 OF 2