

### Spa Package

We've made it easy to choose the right Mr.Steam® system for your lifestyle.

Enhance your steam bathing experience — the Spa Package merges scent, light, sound to transform your Mr.Steam System into a spa-like oasis. You can also have our SteamTherapy® Consultants help create a personalized steam experience by choosing the features and accessories that are the perfect match for you.

Combining Mr.Steam's most innovative sensory products all at the best savings, the Spa Package creates a spa-worthy experience that engages all of the senses in the privacy of your own home.

EACH MR.STEAM SPA PACKAGE IS COMPLETE WITH:

- Home Wizard™ Home Automation System
- AromaSteam™ Aromatic Oils System
- ChromaSteam™ Mood Lighting System
- Speakers: In-Shower Music Therapy®  
OR Behind-the-Wall Stealth Speakers

#### FROM BATHROOM TO SPA

Home Wizard™



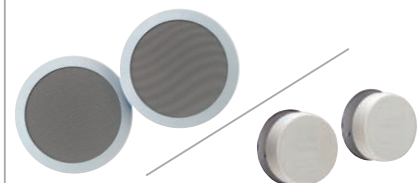
AromaSteam™ System



ChromaSteam™ System



Music Therapy® System

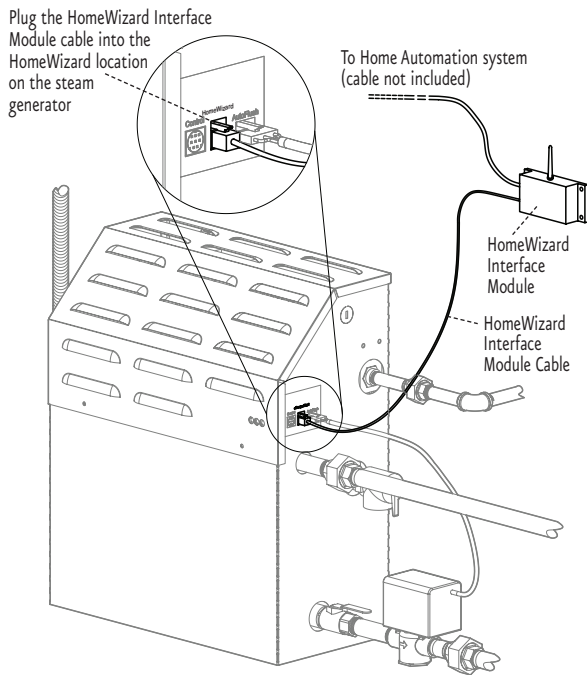


**NOTE: FOR ILLUSTRATIVE PURPOSES ONLY.**

**IMPORTANT: See Mr.Steam® Installation, Operation and Maintenance Manual, PUR 101289, for details.**

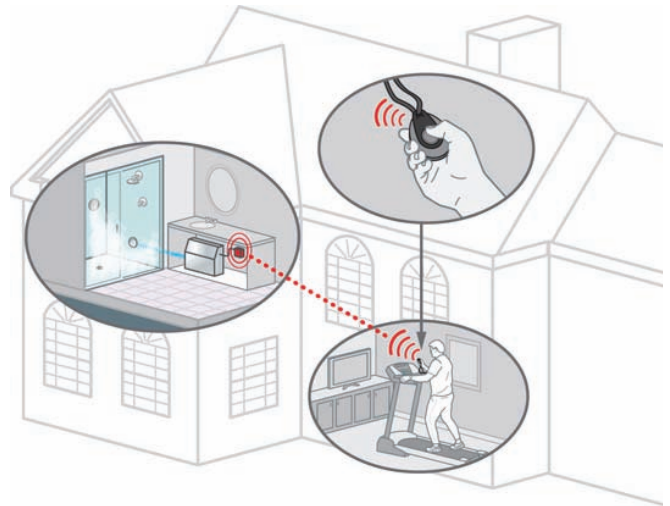
Click here to download this manual:

<http://mrsteam.com/products/technical-downloads.html>



**NOTE: For Illustrative Purposes Only.**  
The eTempo control cable is not shown for clarity. An eTempo or eTempo/Plus must be used in conjunction with the HomeWizard.

BOX CONTENT	
• Home Wizard	• Lanyard
• Home Wizard Holder	• 5 ft. Interface Module Connection Cable
• Interface Module	• 2 Interface Module Mounting Screws
	• Installation and Operation Instructions



## HOME WIZARD INTERFACE MODULE INSTALLATION

- Installation of the HomeWizard Genie should be performed by a certified Home Automation Integrator in accordance with applicable National and local electrical codes.
- Connect the HomeWizard INTERFACE MODULE to the generator by plugging in the provided 5 foot cable to the HomeWizard INTERFACE MODULE and the HomeWizard connector on the side of the generator as shown.
- 2 wire pairs (not supplied) must be provided to connect the Home Automation system and the HomeWizard.
- Using the supplied connector, connect the signal wires and feedback wires from the Home Automation system to the HomeWizard.

**! CAUTION** The signal from the Home Automation system must be a momentary contact closure to turn the Steam Generator ON or OFF. A sustained contact closure or voltage will damage the HomeWizard.

- The feedback from the HomeWizard is a sustained contact closure when the steam generator is ON and an open circuit when the steam generator is OFF.

**! CAUTION** The maximum voltage for the feedback circuit is 2A AT 12 VDC

## HOMEWIZARD OPERATION

### WITH A HOME AUTOMATION SYSTEM:

- The Steam Generator will turn on when a signal is received from the Home Automation system.
- The steam generator will run for a maximum of 10 minutes when turned on using the Home Automation system. To continue for longer than 10 minutes, simply turn the generator off then back on using the eTempo Control or the HomeWizard FOB.

**NOTE: FOR ILLUSTRATIVE PURPOSES ONLY.**

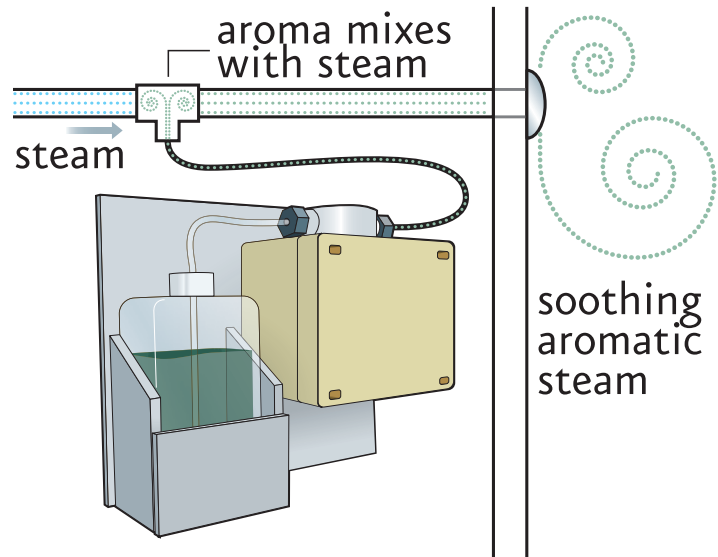
**IMPORTANT: See Mr.Steam® Home Wizard Installation, Operation and Maintenance Manual, PUR 100449HA, for details.**

**Click here to download this manual:**

<http://mrsteam.com/products/technical-downloads.html>

## CONTENTS:

- Pump and integral bracket
  - 6 feet of pressure hose
  - 2 feet of suction hose
  - Filter
  - Atomizing Nozzle
  - Demand Button
  - Installation and Operation Manual
- 
- Electronic oil delivery system evenly infuses scent into steam
  - Complete with hoses, fittings and oil atomizer
  - Can be controlled directly from an eTEMPO/Plus® keypad
  - AromaSteam System oils available in one-liter bottles.
  - The AromaSteam is rated 12 watts at 120 VAC
  - The pump and integral bracket is 7" long x 6.5" wide x 4.5" high.
  - cULus Listed



## OPERATION

### ETEMPO/PLUS

1. Press the AROMA button on the eTempo/Plus control (Aroma will appear in the display).
2. When the generator is steaming the pump will inject oil into the steam line at preset time intervals.
3. If the generator is not steaming, no oil will be pumped.

### TEMPO, TEMPO/PLUS AND ETEMPO

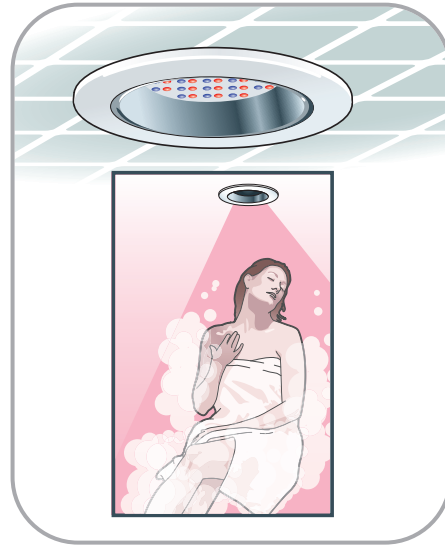
1. With the generator on press the demand button once (the demand button will light up).
2. When the generator is steaming the pump will inject oil into the steam line at preset time intervals.
3. If the generator is not steaming, no oil will be pumped.

**NOTE:** After the generator has been turned off the light on the demand button will remain ON, the pump will be in stand-by mode waiting for the generator to be turned on again.

**NOTE: FOR ILLUSTRATIVE PURPOSES ONLY.**

**IMPORTANT:** See Mr.Steam® AromaSteam Installation, Operation and Maintenance Manual, PUR 100402, for details. Click here to download this manual: <http://mrsteam.com/products/technical-downloads.html>

# mr.steam® ChromaSteam™ Technical Specifications



## Box Contents

The MS Chroma includes all of the following:

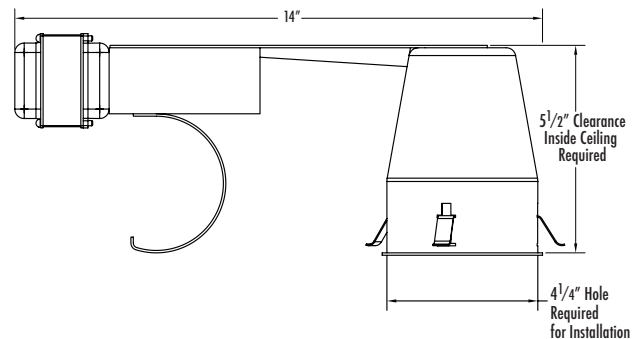
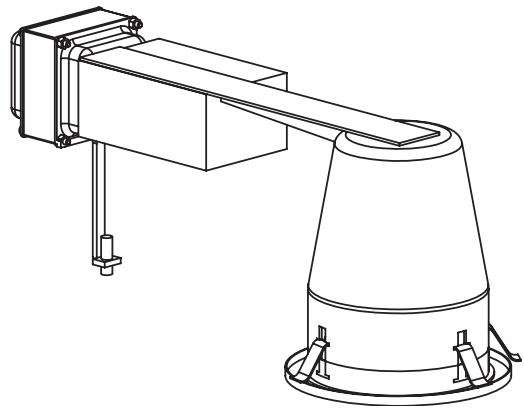
- (1) Installation and Operation Manual
- (1) Light Fixture, Lens & LED Cluster
- (1) Tube of Silicone
- (1) 9 m. cable for use with eTEMPO/PLUS

**IMPORTANT NOTE:** Chromasteam™ System is for mood lighting only and not a substitute for general illumination.

The ChromaSteam is rated 14.4 watts at 120 VAC

Depending on the installation, the user can select from the following color modes using either a standard wall switch or the CHROMA button on their eTempo Plus control.

- |                 |                                      |
|-----------------|--------------------------------------|
| a. Bright White | f. Green                             |
| b. Blue/Green   | g. Red                               |
| c. Violet       | h. Chameleon (slow automatic cycle)  |
| d. Blue         | i. Party Mode (fast automatic cycle) |
| e. Yellow       |                                      |



**NOTE: FOR ILLUSTRATIVE PURPOSES ONLY.**

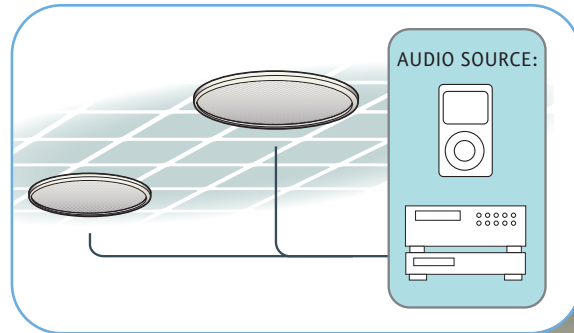
**IMPORTANT:** See Mr.Steam® ChromaSteam Installation, Operation and Maintenance Manual, PUR 100404, for details. Click here to download this manual:

<http://mrsteam.com/products/technical-downloads.html>

### MUSIC THERAPY® SPEAKERS

FOR USE IN ANY SHOWER

- Designed for use inside the shower enclosure
- Two 5½" diameter, ceiling, flush-mount
- Two-way marine-grade speakers, polypropylene cones
- ABS frames with white powder-coated grills
- Suitable for most sources of audio input
- Rated 60W peak power with full range sound
- 30 watts RMS and 8 ohm impedance



### STEALTH SPEAKERS

FOR USE IN ANY SHOWER

- Invisible 3" diameter speakers
- No penetration to finished surfaces
- Envelopes the enclosure
- Frequency Response of 20-20,000Hz
- Typical 400-20kHz with impedance: 6.4 ohms
- Max power: 50 watts



**NOTE: FOR ILLUSTRATIVE PURPOSES ONLY.**

**IMPORTANT: See Mr.Steam® Speakers Installation, Operation and Maintenance Manual (PUR 100401) or Mr.Steam Stealth Speakers IOM (PUR 100453) for details.**

Click here to download these manuals:

<http://mrsteam.com/products/technical-downloads.html>